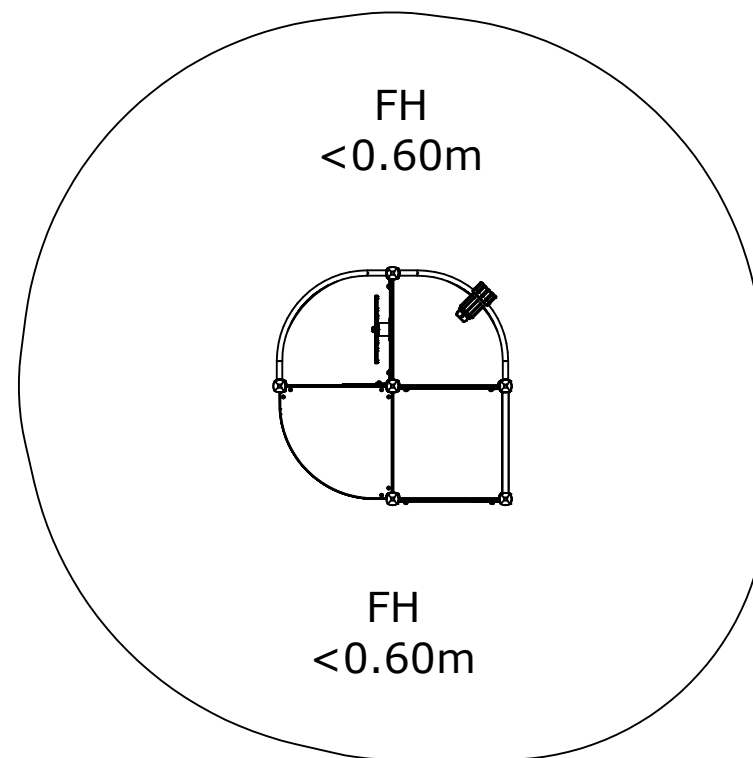
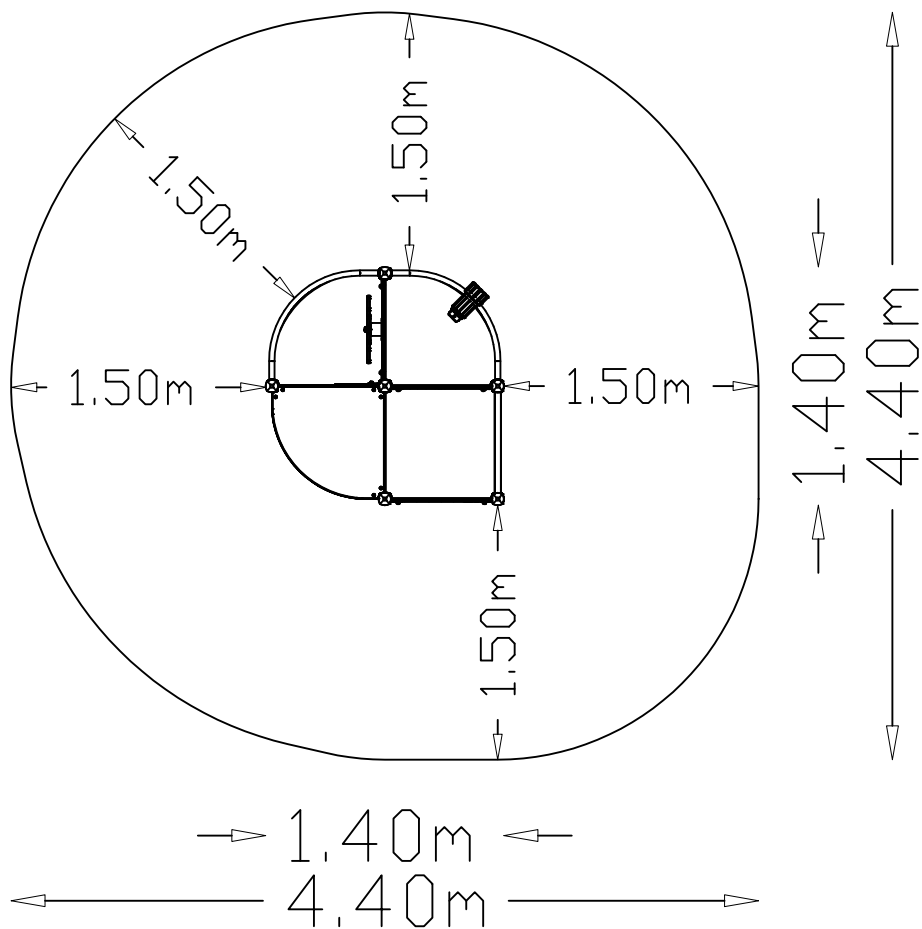
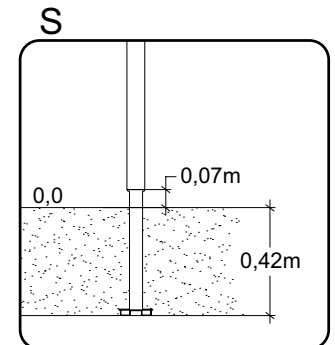
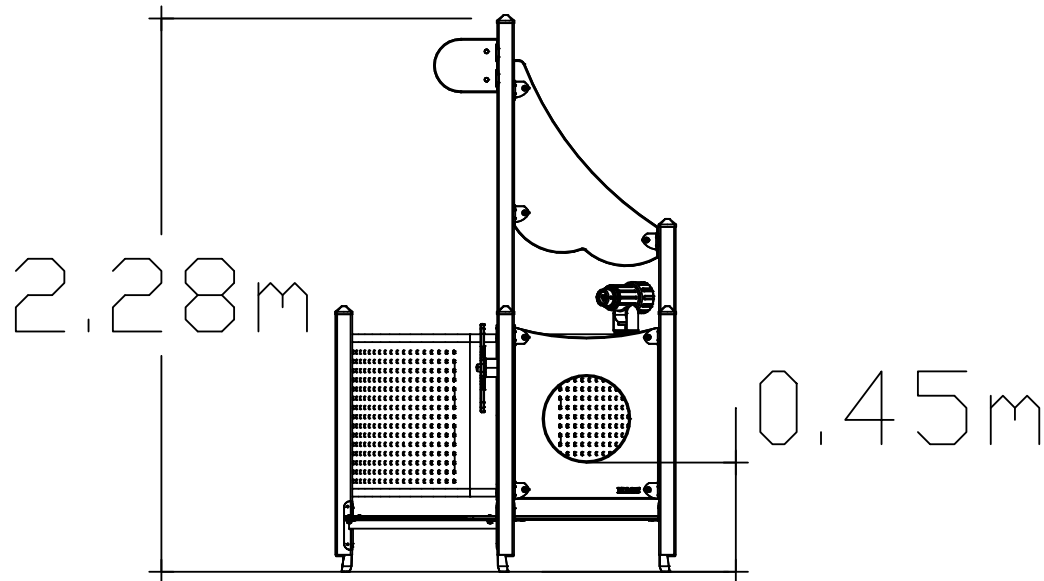
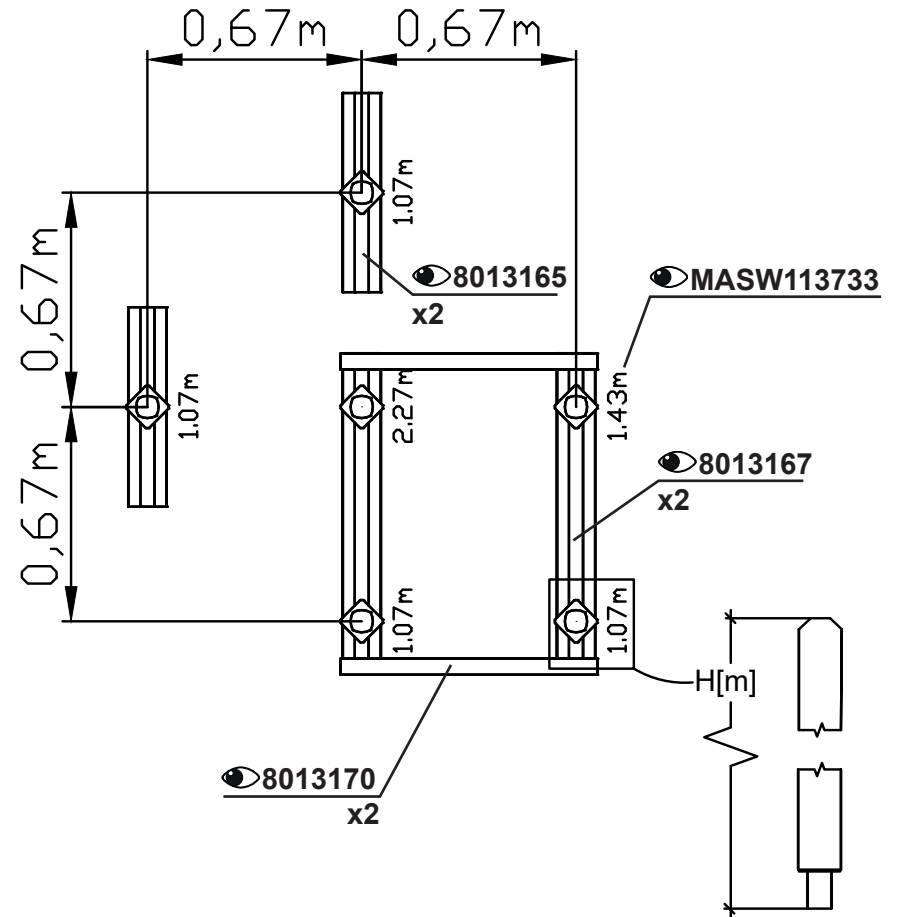
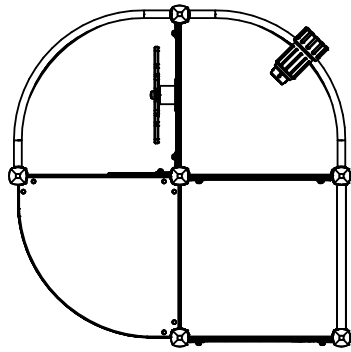
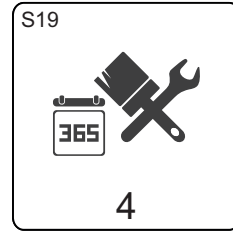
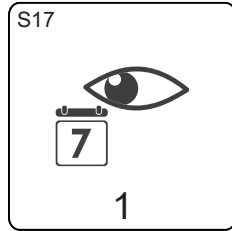
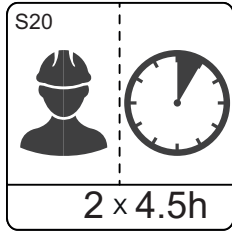
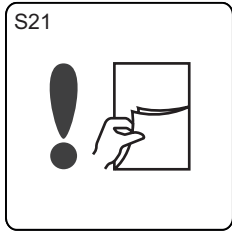


EN1176

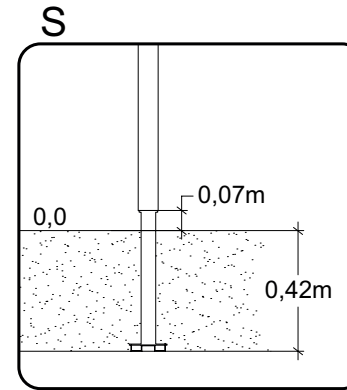




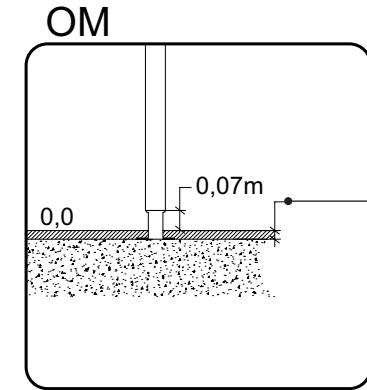


MASW113733

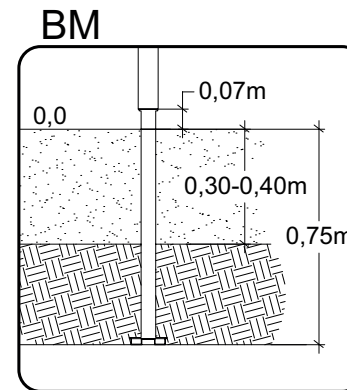
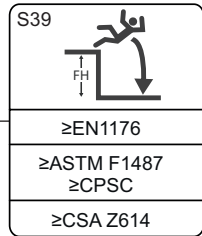
260329
6099
6762
620997
620998
638113
693812
6211 01
MA6101
MA6932
MASW113733
MASW35156
MASW67896



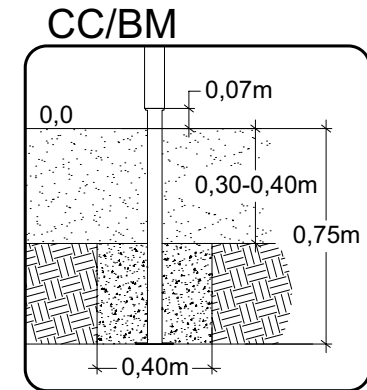
S
Sunken Foundation
 8057298



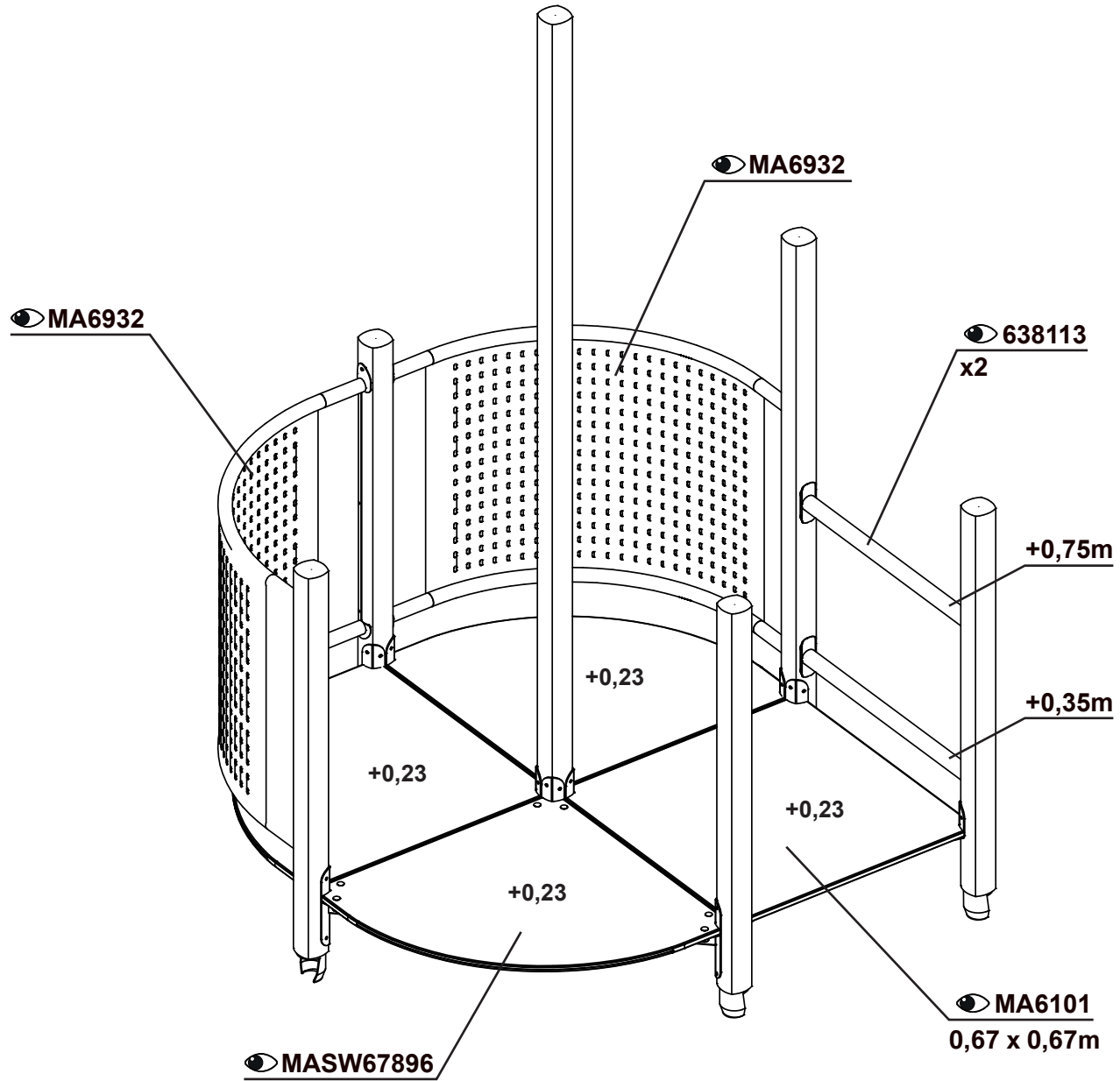
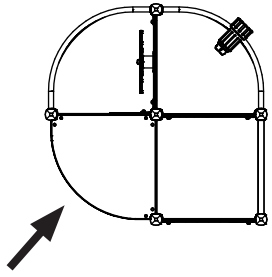
OM
Above Ground
 8057306

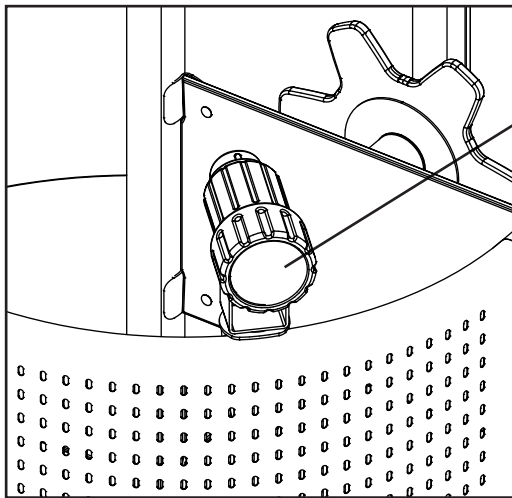
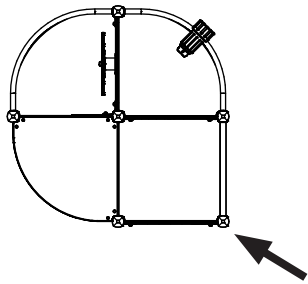


BM
Loosefill



CC/BM
Cast Loosefill





693812

620997

620998

6099
x6

MASW35156

HAGS
260329

6762

6211 01

PA